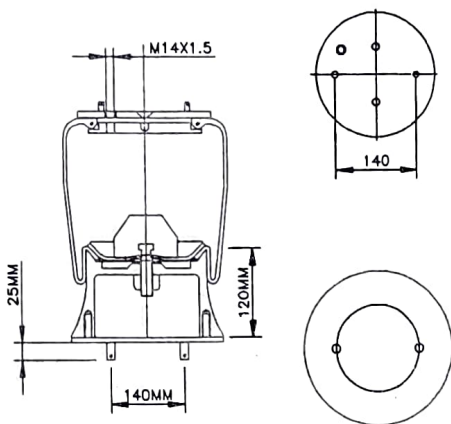
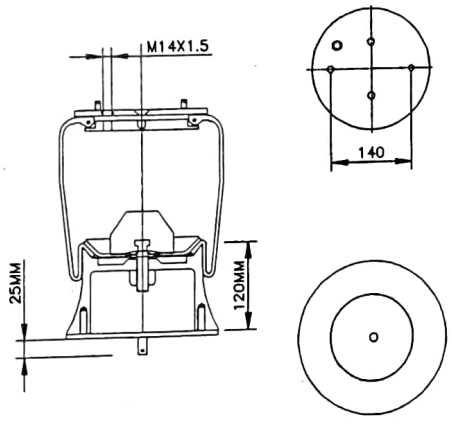


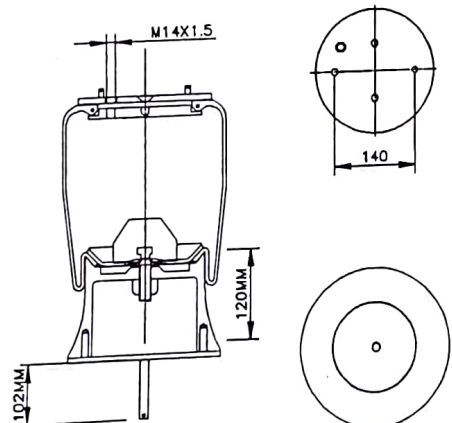
Visao Geral dos Produtos

Gamma de Productos

Product Overview

| | | | | | | | | | | | | | | | | | | | | | | | | | | | | | | | | | | | | | | | | | | | | |
|---|---|---|----------------|----------------|-------------|-----------------|--|--|---------------------|------|-------|------------------|--|--|--------------------|------|-----------------|------------|--|--|---------------|---------------|-------------|---------------|--|--|---------------|---------------|-------------|---------------|--|--|-----------------|-----------------|---------------|----------------|--|--|----------------|------------------|-------------|--------------|--|--|
| Código - Código - Code K 124 D | Bolsa-Fuelle-Flex Member 31-175-145-330 | <table border="1" style="width:100%; border-collapse: collapse;"> <tr> <td>Tampa Superior</td> <td>Tapa superior</td> <td>Upper Plate</td> </tr> <tr> <td colspan="3" style="text-align:center;">30024K</td> </tr> <tr> <td>Base</td> <td>Base</td> <td>Plate</td> </tr> <tr> <td colspan="3" style="text-align:center;">30020</td> </tr> <tr> <td>Batente</td> <td>Tope</td> <td>Internal Bumper</td> </tr> <tr> <td colspan="3" style="text-align:center;">001</td> </tr> <tr> <td>Altura Máxima</td> <td>Altura Máxima</td> <td>Max. Height</td> </tr> <tr> <td colspan="3" style="text-align:center;">425 mm</td> </tr> <tr> <td>Altura Mínima</td> <td>Altura Mínima</td> <td>Min. Height</td> </tr> <tr> <td colspan="3" style="text-align:center;">179 mm</td> </tr> <tr> <td>Diámetro Máximo</td> <td>Diámetro Máximo</td> <td>Max. Diameter</td> </tr> <tr> <td colspan="3" style="text-align:center;">ø310 mm</td> </tr> <tr> <td>Tampa Inferior</td> <td>Platina Inferior</td> <td>Lower Plate</td> </tr> <tr> <td colspan="3" style="text-align:center;">30023</td> </tr> </table> | Tampa Superior | Tapa superior | Upper Plate | 30024K | | | Base | Base | Plate | 30020 | | | Batente | Tope | Internal Bumper | 001 | | | Altura Máxima | Altura Máxima | Max. Height | 425 mm | | | Altura Mínima | Altura Mínima | Min. Height | 179 mm | | | Diámetro Máximo | Diámetro Máximo | Max. Diameter | ø310 mm | | | Tampa Inferior | Platina Inferior | Lower Plate | 30023 | | |
| Tampa Superior | Tapa superior | Upper Plate | | | | | | | | | | | | | | | | | | | | | | | | | | | | | | | | | | | | | | | | | | |
| 30024K | | | | | | | | | | | | | | | | | | | | | | | | | | | | | | | | | | | | | | | | | | | | |
| Base | Base | Plate | | | | | | | | | | | | | | | | | | | | | | | | | | | | | | | | | | | | | | | | | | |
| 30020 | | | | | | | | | | | | | | | | | | | | | | | | | | | | | | | | | | | | | | | | | | | | |
| Batente | Tope | Internal Bumper | | | | | | | | | | | | | | | | | | | | | | | | | | | | | | | | | | | | | | | | | | |
| 001 | | | | | | | | | | | | | | | | | | | | | | | | | | | | | | | | | | | | | | | | | | | | |
| Altura Máxima | Altura Máxima | Max. Height | | | | | | | | | | | | | | | | | | | | | | | | | | | | | | | | | | | | | | | | | | |
| 425 mm | | | | | | | | | | | | | | | | | | | | | | | | | | | | | | | | | | | | | | | | | | | | |
| Altura Mínima | Altura Mínima | Min. Height | | | | | | | | | | | | | | | | | | | | | | | | | | | | | | | | | | | | | | | | | | |
| 179 mm | | | | | | | | | | | | | | | | | | | | | | | | | | | | | | | | | | | | | | | | | | | | |
| Diámetro Máximo | Diámetro Máximo | Max. Diameter | | | | | | | | | | | | | | | | | | | | | | | | | | | | | | | | | | | | | | | | | | |
| ø310 mm | | | | | | | | | | | | | | | | | | | | | | | | | | | | | | | | | | | | | | | | | | | | |
| Tampa Inferior | Platina Inferior | Lower Plate | | | | | | | | | | | | | | | | | | | | | | | | | | | | | | | | | | | | | | | | | | |
| 30023 | | | | | | | | | | | | | | | | | | | | | | | | | | | | | | | | | | | | | | | | | | | | |
|  | | <table border="1" style="width:100%; border-collapse: collapse;"> <tr> <td>Plato Inferior</td> <td>Plato inferior</td> <td>Lower Plate</td> </tr> <tr> <td colspan="3" style="text-align:center;">PK 124 D</td> </tr> <tr> <td colspan="3" style="text-align:center;">EQUIVALENCIA</td> </tr> <tr> <td colspan="3" style="text-align:center;">GOOD YEAR</td> </tr> <tr> <td colspan="3" style="text-align:center;">556 02 8565</td> </tr> </table> | Plato Inferior | Plato inferior | Lower Plate | PK 124 D | | | EQUIVALENCIA | | | GOOD YEAR | | | 556 02 8565 | | | | | | | | | | | | | | | | | | | | | | | | | | | | | |
| Plato Inferior | Plato inferior | Lower Plate | | | | | | | | | | | | | | | | | | | | | | | | | | | | | | | | | | | | | | | | | | |
| PK 124 D | | | | | | | | | | | | | | | | | | | | | | | | | | | | | | | | | | | | | | | | | | | | |
| EQUIVALENCIA | | | | | | | | | | | | | | | | | | | | | | | | | | | | | | | | | | | | | | | | | | | | |
| GOOD YEAR | | | | | | | | | | | | | | | | | | | | | | | | | | | | | | | | | | | | | | | | | | | | |
| 556 02 8565 | | | | | | | | | | | | | | | | | | | | | | | | | | | | | | | | | | | | | | | | | | | | |

| | | | | | | | | | | | | | | | | | | | | | | | | | | | | | | | | | | | | | | | | | | | | |
|--|---|---|----------------|----------------|-------------|-----------------|--|--|---------------------|------|-------|------------------|--|--|----------------|------|-----------------|-------------------|--|--|------------------|---------------|-------------|--------------------|--|--|---------------|---------------|-------------|---------------|--|--|-----------------|-----------------|---------------|----------------|--|--|----------------|------------------|-------------|--------------|--|--|
| Código - Código - Code K 124 T | Bolsa-Fuelle-Flex Member 31-175-145-330 | <table border="1" style="width:100%; border-collapse: collapse;"> <tr> <td>Tampa Superior</td> <td>Tapa superior</td> <td>Upper Plate</td> </tr> <tr> <td colspan="3" style="text-align:center;">30024K</td> </tr> <tr> <td>Base</td> <td>Base</td> <td>Plate</td> </tr> <tr> <td colspan="3" style="text-align:center;">30020</td> </tr> <tr> <td>Batente</td> <td>Tope</td> <td>Internal Bumper</td> </tr> <tr> <td colspan="3" style="text-align:center;">001</td> </tr> <tr> <td>Altura Máxima</td> <td>Altura Máxima</td> <td>Max. Height</td> </tr> <tr> <td colspan="3" style="text-align:center;">425 mm</td> </tr> <tr> <td>Altura Mínima</td> <td>Altura Mínima</td> <td>Min. Height</td> </tr> <tr> <td colspan="3" style="text-align:center;">179 mm</td> </tr> <tr> <td>Diámetro Máximo</td> <td>Diámetro Máximo</td> <td>Max. Diameter</td> </tr> <tr> <td colspan="3" style="text-align:center;">ø310 mm</td> </tr> <tr> <td>Tampa Inferior</td> <td>Platina Inferior</td> <td>Lower Plate</td> </tr> <tr> <td colspan="3" style="text-align:center;">30023</td> </tr> </table> | Tampa Superior | Tapa superior | Upper Plate | 30024K | | | Base | Base | Plate | 30020 | | | Batente | Tope | Internal Bumper | 001 | | | Altura Máxima | Altura Máxima | Max. Height | 425 mm | | | Altura Mínima | Altura Mínima | Min. Height | 179 mm | | | Diámetro Máximo | Diámetro Máximo | Max. Diameter | ø310 mm | | | Tampa Inferior | Platina Inferior | Lower Plate | 30023 | | |
| Tampa Superior | Tapa superior | Upper Plate | | | | | | | | | | | | | | | | | | | | | | | | | | | | | | | | | | | | | | | | | | |
| 30024K | | | | | | | | | | | | | | | | | | | | | | | | | | | | | | | | | | | | | | | | | | | | |
| Base | Base | Plate | | | | | | | | | | | | | | | | | | | | | | | | | | | | | | | | | | | | | | | | | | |
| 30020 | | | | | | | | | | | | | | | | | | | | | | | | | | | | | | | | | | | | | | | | | | | | |
| Batente | Tope | Internal Bumper | | | | | | | | | | | | | | | | | | | | | | | | | | | | | | | | | | | | | | | | | | |
| 001 | | | | | | | | | | | | | | | | | | | | | | | | | | | | | | | | | | | | | | | | | | | | |
| Altura Máxima | Altura Máxima | Max. Height | | | | | | | | | | | | | | | | | | | | | | | | | | | | | | | | | | | | | | | | | | |
| 425 mm | | | | | | | | | | | | | | | | | | | | | | | | | | | | | | | | | | | | | | | | | | | | |
| Altura Mínima | Altura Mínima | Min. Height | | | | | | | | | | | | | | | | | | | | | | | | | | | | | | | | | | | | | | | | | | |
| 179 mm | | | | | | | | | | | | | | | | | | | | | | | | | | | | | | | | | | | | | | | | | | | | |
| Diámetro Máximo | Diámetro Máximo | Max. Diameter | | | | | | | | | | | | | | | | | | | | | | | | | | | | | | | | | | | | | | | | | | |
| ø310 mm | | | | | | | | | | | | | | | | | | | | | | | | | | | | | | | | | | | | | | | | | | | | |
| Tampa Inferior | Platina Inferior | Lower Plate | | | | | | | | | | | | | | | | | | | | | | | | | | | | | | | | | | | | | | | | | | |
| 30023 | | | | | | | | | | | | | | | | | | | | | | | | | | | | | | | | | | | | | | | | | | | | |
|  | | <table border="1" style="width:100%; border-collapse: collapse;"> <tr> <td>Plato Inferior</td> <td>Plato inferior</td> <td>Lower Plate</td> </tr> <tr> <td colspan="3" style="text-align:center;">PK 124 T</td> </tr> <tr> <td colspan="3" style="text-align:center;">EQUIVALENCIA</td> </tr> <tr> <td colspan="3" style="text-align:center;">FIRESTONE</td> </tr> <tr> <td colspan="3" style="text-align:center;">1T15L-4</td> </tr> <tr> <td colspan="3" style="text-align:center;">(095.0405)</td> </tr> <tr> <td colspan="3" style="text-align:center;">GOOD YEAR</td> </tr> <tr> <td colspan="3" style="text-align:center;">556 02 8563</td> </tr> </table> | Plato Inferior | Plato inferior | Lower Plate | PK 124 T | | | EQUIVALENCIA | | | FIRESTONE | | | 1T15L-4 | | | (095.0405) | | | GOOD YEAR | | | 556 02 8563 | | | | | | | | | | | | | | | | | | | | |
| Plato Inferior | Plato inferior | Lower Plate | | | | | | | | | | | | | | | | | | | | | | | | | | | | | | | | | | | | | | | | | | |
| PK 124 T | | | | | | | | | | | | | | | | | | | | | | | | | | | | | | | | | | | | | | | | | | | | |
| EQUIVALENCIA | | | | | | | | | | | | | | | | | | | | | | | | | | | | | | | | | | | | | | | | | | | | |
| FIRESTONE | | | | | | | | | | | | | | | | | | | | | | | | | | | | | | | | | | | | | | | | | | | | |
| 1T15L-4 | | | | | | | | | | | | | | | | | | | | | | | | | | | | | | | | | | | | | | | | | | | | |
| (095.0405) | | | | | | | | | | | | | | | | | | | | | | | | | | | | | | | | | | | | | | | | | | | | |
| GOOD YEAR | | | | | | | | | | | | | | | | | | | | | | | | | | | | | | | | | | | | | | | | | | | | |
| 556 02 8563 | | | | | | | | | | | | | | | | | | | | | | | | | | | | | | | | | | | | | | | | | | | | |

| | | | | | | | | | | | | | | | | | | | | | | | | | | | | | | | | | | | | | | | | | | | | |
|---|---|---|----------------|----------------|-------------|-----------------|--|--|---------------------|------|-------|------------------|--|--|-----------------|------|-----------------|-------------------|--|--|------------------|---------------|-------------|--------------------|--|--|---------------|---------------|-------------|---------------|--|--|-----------------|-----------------|---------------|----------------|--|--|----------------|------------------|-------------|--------------|--|--|
| Código - Código - Code K 124 M | Bolsa-Fuelle-Flex Member 31-175-145-395 | <table border="1" style="width:100%; border-collapse: collapse;"> <tr> <td>Tampa Superior</td> <td>Tapa superior</td> <td>Upper Plate</td> </tr> <tr> <td colspan="3" style="text-align:center;">30024K</td> </tr> <tr> <td>Base</td> <td>Base</td> <td>Plate</td> </tr> <tr> <td colspan="3" style="text-align:center;">30020</td> </tr> <tr> <td>Batente</td> <td>Tope</td> <td>Internal Bumper</td> </tr> <tr> <td colspan="3" style="text-align:center;">001</td> </tr> <tr> <td>Altura Máxima</td> <td>Altura Máxima</td> <td>Max. Height</td> </tr> <tr> <td colspan="3" style="text-align:center;">500 mm</td> </tr> <tr> <td>Altura Mínima</td> <td>Altura Mínima</td> <td>Min. Height</td> </tr> <tr> <td colspan="3" style="text-align:center;">179 mm</td> </tr> <tr> <td>Diámetro Máximo</td> <td>Diámetro Máximo</td> <td>Max. Diameter</td> </tr> <tr> <td colspan="3" style="text-align:center;">ø310 mm</td> </tr> <tr> <td>Tampa Inferior</td> <td>Platina Inferior</td> <td>Lower Plate</td> </tr> <tr> <td colspan="3" style="text-align:center;">30023</td> </tr> </table> | Tampa Superior | Tapa superior | Upper Plate | 30024K | | | Base | Base | Plate | 30020 | | | Batente | Tope | Internal Bumper | 001 | | | Altura Máxima | Altura Máxima | Max. Height | 500 mm | | | Altura Mínima | Altura Mínima | Min. Height | 179 mm | | | Diámetro Máximo | Diámetro Máximo | Max. Diameter | ø310 mm | | | Tampa Inferior | Platina Inferior | Lower Plate | 30023 | | |
| Tampa Superior | Tapa superior | Upper Plate | | | | | | | | | | | | | | | | | | | | | | | | | | | | | | | | | | | | | | | | | | |
| 30024K | | | | | | | | | | | | | | | | | | | | | | | | | | | | | | | | | | | | | | | | | | | | |
| Base | Base | Plate | | | | | | | | | | | | | | | | | | | | | | | | | | | | | | | | | | | | | | | | | | |
| 30020 | | | | | | | | | | | | | | | | | | | | | | | | | | | | | | | | | | | | | | | | | | | | |
| Batente | Tope | Internal Bumper | | | | | | | | | | | | | | | | | | | | | | | | | | | | | | | | | | | | | | | | | | |
| 001 | | | | | | | | | | | | | | | | | | | | | | | | | | | | | | | | | | | | | | | | | | | | |
| Altura Máxima | Altura Máxima | Max. Height | | | | | | | | | | | | | | | | | | | | | | | | | | | | | | | | | | | | | | | | | | |
| 500 mm | | | | | | | | | | | | | | | | | | | | | | | | | | | | | | | | | | | | | | | | | | | | |
| Altura Mínima | Altura Mínima | Min. Height | | | | | | | | | | | | | | | | | | | | | | | | | | | | | | | | | | | | | | | | | | |
| 179 mm | | | | | | | | | | | | | | | | | | | | | | | | | | | | | | | | | | | | | | | | | | | | |
| Diámetro Máximo | Diámetro Máximo | Max. Diameter | | | | | | | | | | | | | | | | | | | | | | | | | | | | | | | | | | | | | | | | | | |
| ø310 mm | | | | | | | | | | | | | | | | | | | | | | | | | | | | | | | | | | | | | | | | | | | | |
| Tampa Inferior | Platina Inferior | Lower Plate | | | | | | | | | | | | | | | | | | | | | | | | | | | | | | | | | | | | | | | | | | |
| 30023 | | | | | | | | | | | | | | | | | | | | | | | | | | | | | | | | | | | | | | | | | | | | |
|  | | <table border="1" style="width:100%; border-collapse: collapse;"> <tr> <td>Plato Inferior</td> <td>Plato inferior</td> <td>Lower Plate</td> </tr> <tr> <td colspan="3" style="text-align:center;">PK 124 M</td> </tr> <tr> <td colspan="3" style="text-align:center;">EQUIVALENCIA</td> </tr> <tr> <td colspan="3" style="text-align:center;">FIRESTONE</td> </tr> <tr> <td colspan="3" style="text-align:center;">1T15LR-4</td> </tr> <tr> <td colspan="3" style="text-align:center;">(095.0424)</td> </tr> <tr> <td colspan="3" style="text-align:center;">GOOD YEAR</td> </tr> <tr> <td colspan="3" style="text-align:center;">556 02 8560</td> </tr> </table> | Plato Inferior | Plato inferior | Lower Plate | PK 124 M | | | EQUIVALENCIA | | | FIRESTONE | | | 1T15LR-4 | | | (095.0424) | | | GOOD YEAR | | | 556 02 8560 | | | | | | | | | | | | | | | | | | | | |
| Plato Inferior | Plato inferior | Lower Plate | | | | | | | | | | | | | | | | | | | | | | | | | | | | | | | | | | | | | | | | | | |
| PK 124 M | | | | | | | | | | | | | | | | | | | | | | | | | | | | | | | | | | | | | | | | | | | | |
| EQUIVALENCIA | | | | | | | | | | | | | | | | | | | | | | | | | | | | | | | | | | | | | | | | | | | | |
| FIRESTONE | | | | | | | | | | | | | | | | | | | | | | | | | | | | | | | | | | | | | | | | | | | | |
| 1T15LR-4 | | | | | | | | | | | | | | | | | | | | | | | | | | | | | | | | | | | | | | | | | | | | |
| (095.0424) | | | | | | | | | | | | | | | | | | | | | | | | | | | | | | | | | | | | | | | | | | | | |
| GOOD YEAR | | | | | | | | | | | | | | | | | | | | | | | | | | | | | | | | | | | | | | | | | | | | |
| 556 02 8560 | | | | | | | | | | | | | | | | | | | | | | | | | | | | | | | | | | | | | | | | | | | | |